

USER MANUAL MANUALE D'USO

QPS 9600

- FOUR-CHANNEL
POWER AMPLIFIER
- AMPLIFICATORE
CON QUATTRO CANALI



TABLE OF CONTENTS INDICE



ENGLISH	
SAFETY PRECAUTIONS	4
DESCRIPTION	6
UNPACKING AND INSTALLATION	6
FRONT PANEL	7
REAR PANEL	8
OPERATION MODES	11
SPEAKON CONNECTOR WIRING	14
COOLING REQUIREMENTS	14
SPECIFICATIONS	15
ITALIANO	
AVVERTENZE PER LA SICUREZZA	16
DESCRIZIONE	18
DISIMBALLO ED INSTALLAZIONE	18
PANNELLO FRONTALE	19
PANNELLO POSTERIORE	20
MODI DI FUNZIONAMENTO	23
CABLAGGIO DEI CONNETTORI SPEAKON	26
VENTILAZIONE	26
DATI TECNICI	27

**IMPORTANT**

Before connecting and using this product, please read this instruction manual carefully and keep it on hand for future reference.

The manual is to be considered an integral part of this product and must accompany it when it changes ownership as a reference for correct installation and use as well as for the safety precautions.

RCF S.p.A. will not assume any responsibility for the incorrect installation and / or use of this product.

WARNING: To prevent the risk of fire or electric shock, never expose this product to rain or humidity.

This device is intended for indoor use only.

SAFETY PRECAUTIONS

1. All the precautions, in particular the safety ones, must be read with special attention, as they provide important information.

2. POWER SUPPLY FROM MAINS

- The mains voltage is sufficiently high to involve a risk of electrocution: never install or connect this product when its power cord is plugged in.
- Before powering up, make sure that all the connections have been made correctly and the voltage of your mains corresponds to the voltage shown on the rating plate on the unit, if not, please contact your RCF dealer.
- The metallic parts of the unit are earthed by means of the power cord.
An apparatus with CLASS I construction shall be connected to a mains socket outlet with a protective earthing connection.
- Protect the power cord from damage. Make sure it is positioned in a way that it cannot be stepped on or crushed by objects.
- To prevent the risk of electric shock, never open this product: there are no parts inside that the user needs to access.
- The mains plug is used as the disconnect device and it shall remain readily operable.

3. Make sure that no objects or liquids can get into this product, as this may cause a short circuit.

This apparatus shall not be exposed to dripping or splashing. No objects filled with liquid (such as vases) and no naked sources (such as lighted candles) shall be placed on this apparatus.


4. Never attempt to carry out any operations, modifications or repairs that are not expressly described in this manual.

Contact your authorized service centre or qualified personnel should any of the following occur:

- The product does not function (or functions in an anomalous way).
- The power cord has been damaged.
- Objects or liquids have got into the product.
- The product has been subject to a heavy impact.

5. If this product is not used for a long period, disconnect its power cord from mains.

6. If this product begins emitting any strange odours or smoke, **switch it off immediately and disconnect its power cord.**

7. The terminals marked with the symbol  are HAZARDOUS LIVE and their connection is to be made by an INSTRUCTED PERSON or the use of ready-made cables is required.

IMPORTANT**WARNING**

8. Do not connect this product to any equipment or accessories not foreseen.

For suspended installation, only use the dedicated anchoring points and do not try to hang this product by using elements that are unsuitable or not specific for this purpose.

Also check the suitability of the support surface to which the product is anchored (wall, ceiling, structure, etc.), and the components used for attachment (screw anchors, screws, brackets not supplied by RCF etc.), which must guarantee the security of the system / installation over time, also considering, for example, the mechanical vibrations normally generated by transducers.

To prevent the risk of falling equipment, do not stack multiple units of this product unless this possibility is specified in this user manual.

9. RCF S.p.A. strongly recommends this product is only installed by professional qualified installers (or specialised firms) who can ensure correct installation and certify it according to the regulations in force.

The entire audio system must comply with the current standards and regulations regarding electrical systems.

10. Supports and trolleys

The equipment should be only used on trolleys or supports, where necessary, that are recommended by the manufacturer. The equipment / support / trolley assembly must be moved with extreme caution.

Sudden stops, excessive pushing force and uneven floors may cause the assembly to overturn.

11. Mechanical and electrical factors need to be considered when installing a professional audio system (in addition to those which are strictly acoustic, such as sound pressure, angles of coverage, frequency response, etc.).

12. Hearing loss

Exposure to high sound levels can cause permanent hearing loss. The acoustic pressure level that leads to hearing loss is different from person to person and depends on the duration of exposure. To prevent potentially dangerous exposure to high levels of acoustic pressure, anyone who is exposed to these levels should use adequate protection devices.

When a transducer capable of producing high sound levels is being used, it is therefore necessary to wear ear plugs or protective earphones.

See the technical specifications in loudspeaker instruction manuals to know their maximum sound pressure levels.

13. Do not obstruct the ventilation grilles of the unit. Situate this product far from any heat sources and always ensure adequate air circulation around the ventilation grilles.

14. Do not overload amplifiers. Check that amplifier outputs are not shorted.

15. Never force the control elements (keys, knobs, etc.).

16. Do not use solvents, alcohol, benzene or other volatile substances for cleaning the external parts of this product.

Use a dry cloth.

NOTES ABOUT AUDIO SIGNAL CABLES



To prevent the occurrence of noise on microphone / line signal cables, use screened cables only and avoid putting them close to:

- Equipment that produces high-intensity electromagnetic fields.
- Mains cables.
- Loudspeaker lines.

RCF S.P.A. THANKS YOU FOR PURCHASING THIS PRODUCT, WHICH HAS BEEN MADE TO GUARANTEE RELIABILITY AND HIGH PERFORMANCE.

DESCRIPTION



QPS 9600 is a 4-channel power amplifier designed for professional use in touring racks and installed sound systems.

It is compact (19" rack - 2 units) and lightweight.

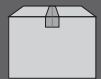
Its nominal output power is 2400 W RMS @ 2 Ω per each of the four channels (2 x 4800 W RMS bridged @ 4 Ω).

Thanks to its high efficiency heat sinks and variable speed DC fans, the QPS 9600 can withstand the hardest heat conditions ensuring great reliability.

MAIN FEATURES:

- Fast response and low distortion
- Different operation modes (e.g. 4 independent channels, "bridge", "mono")
- Extensive protective circuits ensure high reliability and operating safety
- XLR connectors for audio inputs and outputs
- SPEAKON speaker connectors
- Switchable voltage peak limiters
- Gain setting.

UNPACKING AND INSTALLATION



Check the carton box and its contents to see if there is any sign of damage (should the amplifier be damaged, immediately inform your local distributor / dealer and the forwarder). It is always advisable to keep the packing materials, even if the amplifier has arrived in good condition.

Input and output cables are not included.

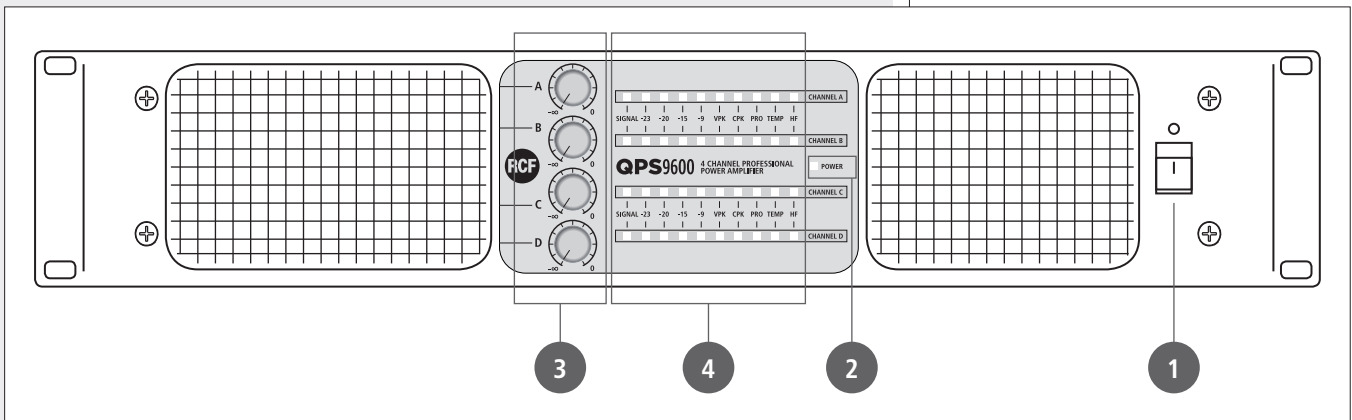
Each amplifier needs 2 units of a standard 19" rack cabinet.

Four holes for rack mounting are on the front panel ears.

Rear mounting ears give additional support.

THE AMPLIFIER SHOULD NOT BE INSTALLED IN A PLACE WITH:

- Too high temperature, dust or excessive humidity.
- Fog machine outputs oriented towards the amplifier.
- Exhaust air ventilators.
- Permanent vibrations.
- High-intensity electromagnetic fields (due to transformers, transmitters, etc.).



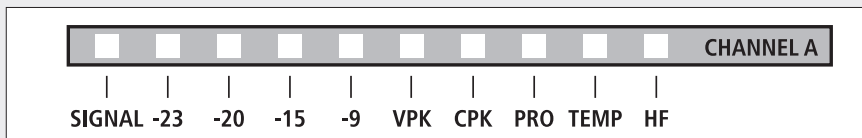
1 POWER switch with LED
 Push to turn on (I) / off (O) the amplifier. Its LED is lit when the amplifier is turned on. Before switching the amplifier on, check all cables and turn fully counterclockwise all the four channel level controls **3**.

2 POWER LED
 When lit, the amplifier is switched on.

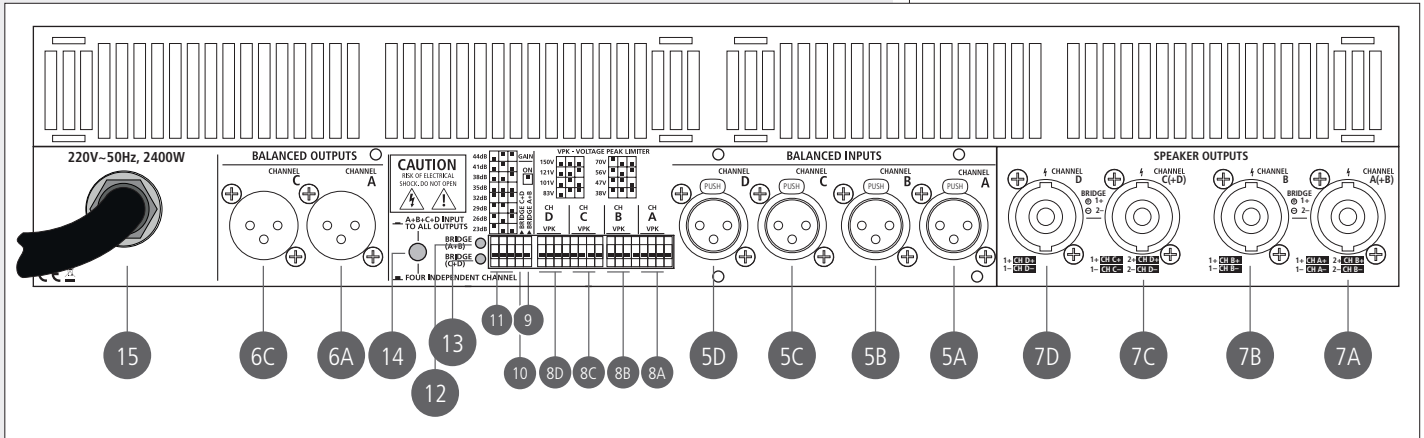
3 Controls (one per channel) to adjust the output level of the respective amplifier channels.
 Turn clockwise to increase the output level (0 dB = max. level), turn counterclockwise to decrease.
 Set the control of an unused channel to $-\infty$ (fully counterclockwise).

IF CHANNELS A AND B ARE BRIDGED, USE THE CHANNEL A CONTROL ONLY. IF CHANNELS C AND D ARE BRIDGED, USE THE CHANNEL C CONTROL ONLY.

4 LED bar per each channel



SIGNAL	When lit, it indicates the signal presence at the respective input.
-23	When lit, it indicates a signal level of (at least) -23 dB at the respective input.
-20	When lit, it indicates a signal level of (at least) -20 dB at the respective input.
-15	When lit, it indicates a signal level of (at least) -15 dB at the respective input.
-9	When lit, it indicates a signal level of (at least) -9 dB at the respective input.
VPK	It blinks when the signal level reaches the clipping point, causing the limiter intervention on the respective channel. If it is steady lit, the input signal level is excessive and should be reduced.
CPK	If steady lit orange: load having a too low impedance / short circuit detected (the respective output is muted).
PRO	When lit, it indicates the internal protection intervention and the respective channel is muted.
TEMP	When lit, it indicates the internal protection intervention due to thermal drift. The respective channel is muted.
HF	If steady lit yellow: high frequency protection insertion. The respective output is muted.



XLR PINS: 1 GROUND, 2 AUDIO SIGNAL (+, HOT), 3 AUDIO SIGNAL (-, COLD)

5A CHANNEL A INPUT

Channel A balanced audio input (female XLR connector).

5B CHANNEL B INPUT

Channel B balanced audio input (female XLR connector).
Do not connect this input when channels A and B are bridged.

5C CHANNEL C INPUT

Channel C balanced audio input (female XLR connector).

5D CHANNEL D INPUT

Channel D balanced audio input (female XLR connector).
Do not connect this input when channels C and D are bridged.

6A CHANNEL A BALANCED OUTPUT

Channel A balanced parallel audio output (male XLR connector).
This output is linked in parallel with the channel A input and is useful to connect another amplifier.

6C CHANNEL C BALANCED OUTPUT

Channel C balanced parallel audio output (male XLR connector).
This output is linked in parallel with the channel C input and is useful to connect another amplifier.

7A CHANNEL A (+ B) SPEAKER OUTPUT

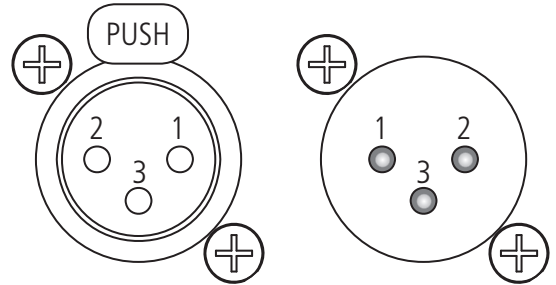
Channel A output to speakers
(SPEAKON connector, which also includes the channel B output).
See both 'Operation modes' and 'SPEAKON connector wiring' manual sections.

7B CHANNEL B SPEAKER OUTPUT

Channel B output to speakers (SPEAKON connector).
Do not connect this output if the channels A and B are bridged.
See both 'Operation modes' and 'SPEAKON connector wiring' manual sections.

7C CHANNEL C (+ D) SPEAKER OUTPUT

Channel C output to speakers
(SPEAKON connector, which also includes the channel D output).
See both 'Operation modes' and 'SPEAKON connector wiring' manual sections.



female XLR connector

male XLR connector

7D CHANNEL D SPEAKER OUTPUT

Channel D output to speakers (SPEAKON connector).
Do not connect this output if the channels C and D are bridged.
See both 'Operation modes' and 'SPEAKON connector wiring' manual sections.

8A CHANNEL A 'VPK' VOLTAGE PEAK LIMITER setting

The three dip-switches allow to set the maximum output voltage peak of the CHANNEL A among eight values. In other words, it is possible to reduce the channel power according to connected speakers.
See the following table and select the most appropriate setting.

DIP SWITCH	VPK SETTING	MAX. POWER PER CHANNEL (8 Ω LOAD)	MAX. POWER PER CHANNEL (4 Ω LOAD)
	150 V	1300 W	2200 W
	121 V	845 W	1430 W
	101 V	590 W	995 W
	83 V	400 W	675 W
	70 V	280 W	480 W
	56 V	180 W	305 W
	47 V	130 W	215 W
	38 V	80 W	140 W

8B CHANNEL B 'VPK' VOLTAGE PEAK LIMITER setting
See **8A** CHANNEL A 'VPK' VOLTAGE PEAK LIMITER, but applied to the CHANNEL B.

8C CHANNEL C 'VPK' VOLTAGE PEAK LIMITER setting
See **8A** CHANNEL A 'VPK' VOLTAGE PEAK LIMITER, but applied to the CHANNEL C.

8D CHANNEL D 'VPK' VOLTAGE PEAK LIMITER setting
See **8A** CHANNEL A 'VPK' VOLTAGE PEAK LIMITER, but applied to the CHANNEL D.

9 BRIDGE A+B switch

Important: make sure the amplifier is turned off before setting this switch.
If set to ON, channels A and B are bridged (the respective LED **12** lights up).
Leave it on OFF for normal 2-channel operation.
See the 'Operation modes' manual section.

10 BRIDGE C+D switch

Important: make sure the amplifier is turned off before setting this switch.
If set to ON, channels C and D are bridged (the respective LED **13** lights up).
Leave it on OFF for normal 2-channel operation.
See the 'Operation modes' manual section.

11 GAIN common setting

The three dip-switches allow to set the common gain for all the four channels, from +23 dB to +44 dB (3 dB steps).

See the following table and select the most appropriate setting.

DIP SWITCH	GAIN
	+ 44 dB
	+ 41 dB
	+ 38 dB
	+ 35 dB
	+ 32 dB
	+ 29 dB
	+ 26 dB
	+ 23 dB

12 BRIDGE (A+B) LED

When lit: the channels A and B are bridged (see 9 BRIDGE A+B switch).

13 BRIDGE (C+D) LED

When lit: the channels C and D are bridged (see 10 BRIDGE C+D switch).

14 FOUR INDEPENDENT CHANNELS / A+B+C+D INPUT TO ALL OUTPUTS switch

Important: make sure the amplifier is turned off before setting this switch.

See the 'Operation modes' manual section.

SWITCH POSITION	MODE	FUNCTION
OFF (released)	FOUR INDEPENDENT CHANNELS	Standard operation: all the four channels are independent (but in the bridge mode). Each channel input is only sent to its respective speaker and balanced outputs.
ON (pushed)	A+B+C+D INPUT TO ALL OUTPUTS	All the four inputs are mixed into a single signal sent to all the speaker and balanced outputs. This mode is useful to get a four-channel mono amplifier (1 input sent to all the 4 speaker outputs).

15 Power cord.

Connect the power cord only to a mains socket outlet with a protective earthing connection.



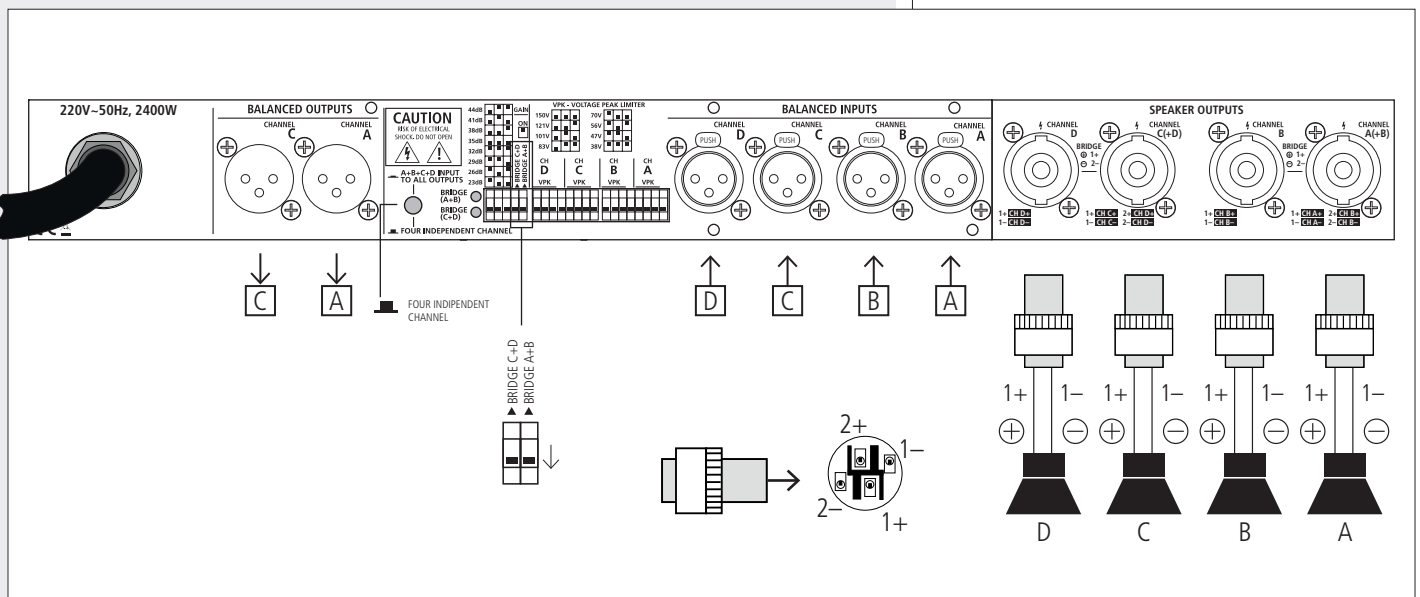
FOUR INDEPENDENT CHANNELS

Make sure the amplifier is switched off before setting:

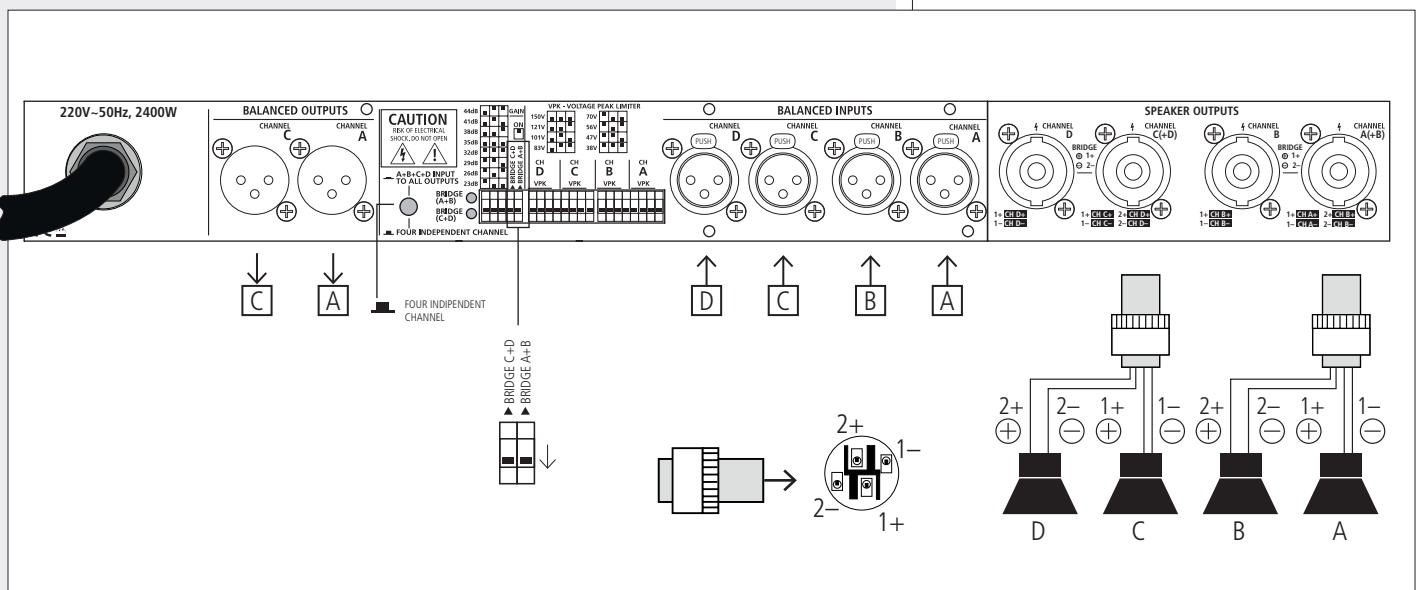
- the BRIDGE A+B switch **9** to OFF
- the BRIDGE C+D switch **10** to OFF
- the switch **14** to FOUR INDEPENDENT CHANNELS.

All the four channels are completely independent and each front panel level control affects its respective speaker output.

Minimum load impedance is 2 Ω per speaker output.



As alternative wiring, it is possible to use just a pair of SPEAKON connectors (by using all the four pins): one for the channels A and B, one for the channels C and D.



A BRIDGED PAIR AND TWO INDEPENDENT CHANNELS

Make sure the amplifier is switched off before setting:

- the BRIDGE A+B switch 9 to ON
- the BRIDGE C+D switch 10 to OFF
- the switch 14 to FOUR INDEPENDENT CHANNELS.

CHANNELS A AND B: these are bridged and work with the same input signal (channel A input). The result is a doubling of the output voltage in order to get a double power (on a double impedance load).

The output level is adjusted only by the channel A front panel control (turn fully counterclockwise the channel B control).

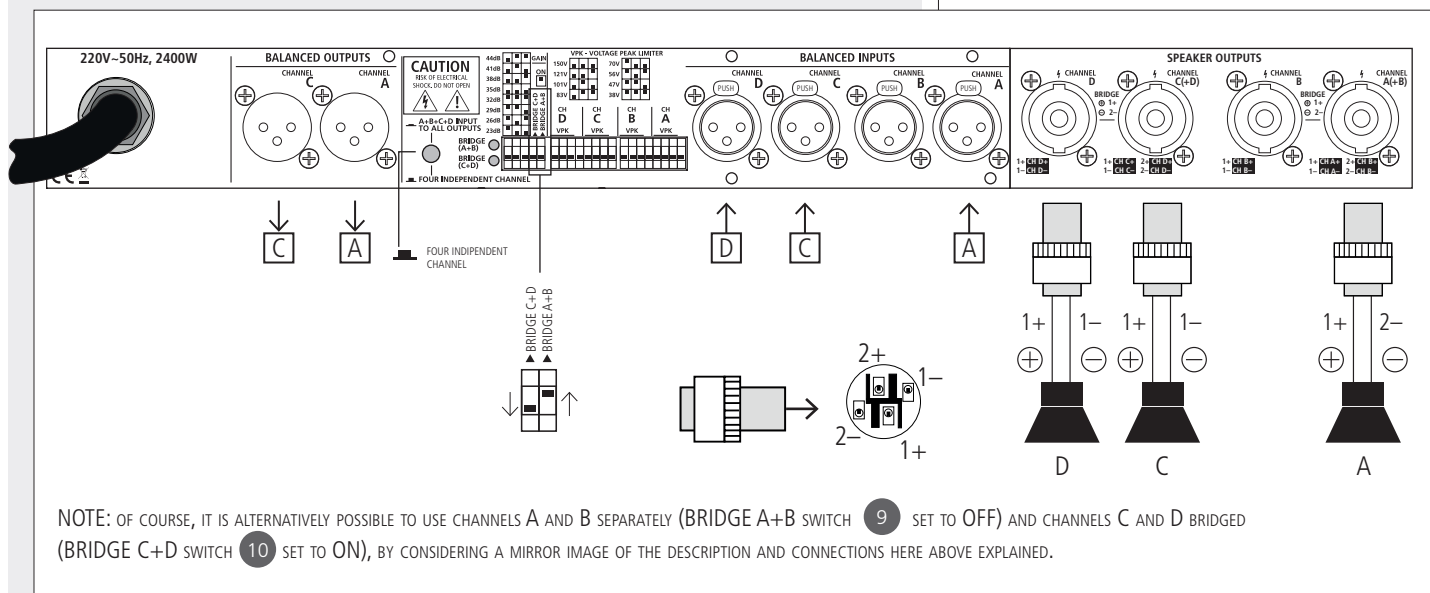
Do NOT connect the channel B speaker output.

Minimum load impedance is 4 Ω (on channel A speaker output).

Pay attention to the SPEAKON wiring: pin 1+ positive, pin 2- negative.

CHANNELS C AND D: these two channels are completely independent and a front panel level control affects its respective speaker output.

Minimum load impedance is 2 Ω per speaker output.



TWO BRIDGED PAIRS

Make sure the amplifier is switched off before setting:

- the BRIDGE A+B switch 9 to ON
- the BRIDGE C+D switch 10 to ON
- the switch 14 to FOUR INDEPENDENT CHANNELS.

All channels are bridged (two pairs): the result is a doubling of the output voltage in order to get a double power (on a double impedance load).

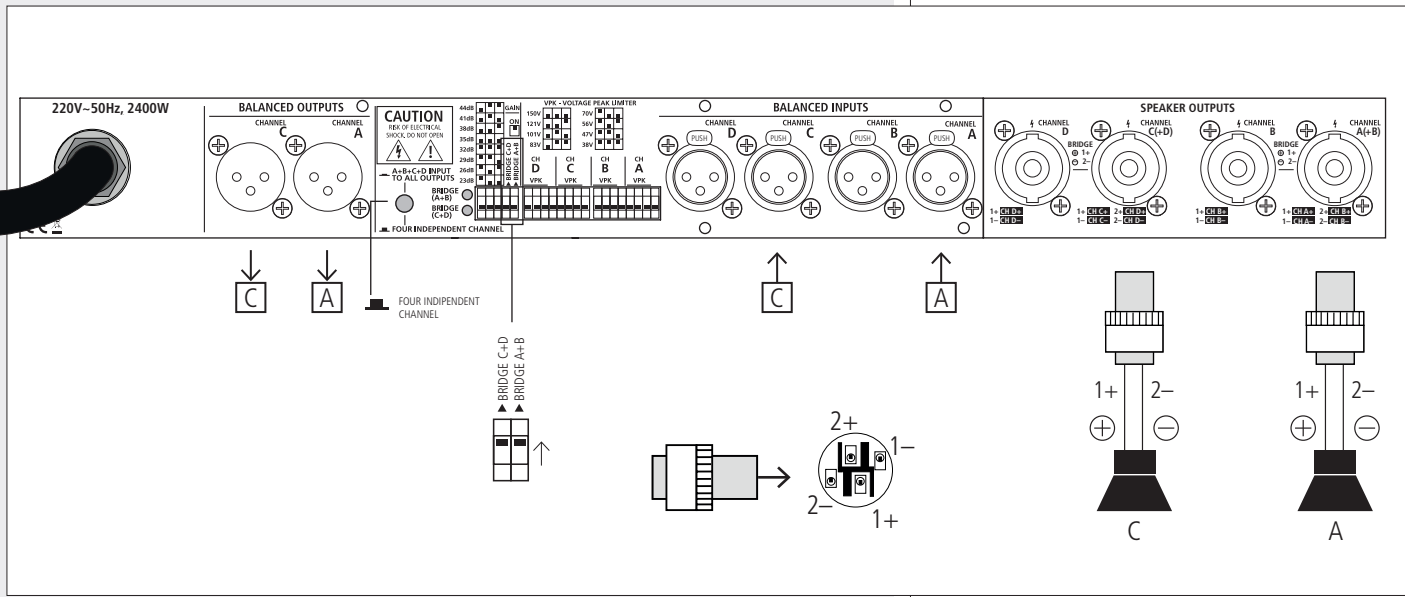
Each pair works with the same input signal: channel A input for A-B channels, channel C input for C-D channels.

The output levels are adjusted by the channel A and C front panel controls (turn fully counterclockwise the channel B and D controls).

Do NOT connect the channel B and D speaker outputs.

Minimum load impedance is 4 Ω per speaker output (channel A and C).

Pay attention to the SPEAKON wiring: pin 1+ positive, pin 2- negative.



COMMON SIGNAL TO ALL THE FOUR CHANNELS (4-CH MONO)

Make sure the amplifier is switched off before setting:

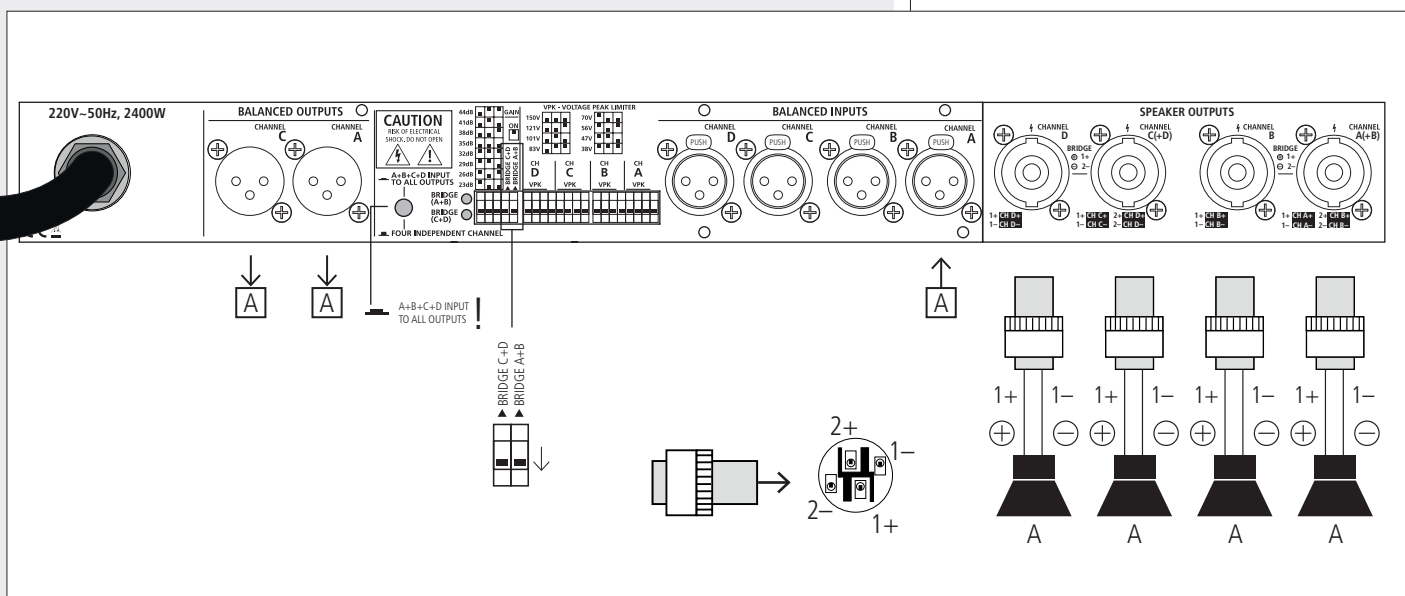
- the BRIDGE A+B switch 9 to OFF
- the BRIDGE C+D switch 10 to OFF
- the switch 14 to A+B+C+D INPUT TO ALL OUTPUTS.

All the four inputs are mixed into a single signal sent to all the speaker and balanced outputs.

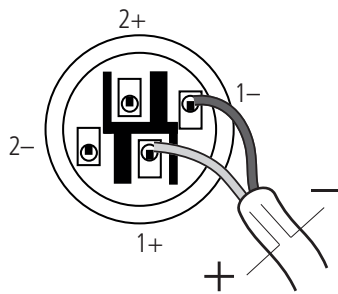
This mode is useful to get a four-channel mono amplifier: for instance, the channel A input is sent to all the 4 speaker outputs.

Each front panel level control affects its respective speaker output.

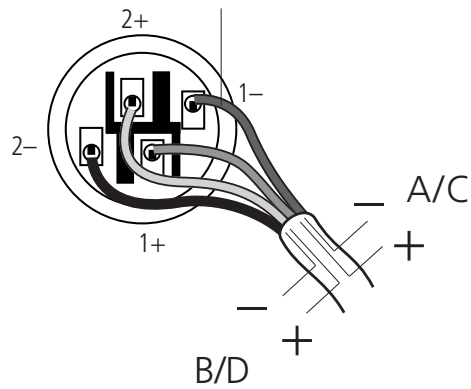
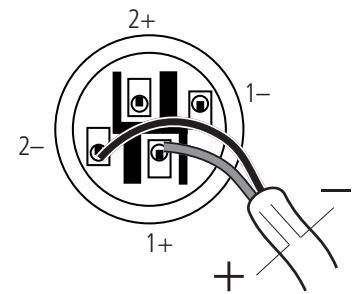
Minimum load impedance is 2 Ω per speaker output.



SPEAKON CONNECTOR WIRING



SINGLE CHANNEL

DUAL CHANNEL
(7A AND 7C ONLY)BRIDGE
(7A AND 7C ONLY)

COOLING REQUIREMENTS



QPS 9600 has a forced air cooling system to maintain a low operating temperature. Make sure there is enough space in the front (and all around) of all amplifiers. If amplifiers are rack-mounted, do not use doors or covers on the front and the rear of rack cabinets.

SPECIFICATIONS



RATED OUTPUT POWER (single channels)	4 x 1300 W @ 8 Ω 4 x 2200 W @ 4 Ω 4 x 2400 W @ 2 Ω
RATED OUTPUT POWER (bridged outputs)	2 x 4400 W @ 8 Ω 2 x 4800 W @ 4 Ω
Frequency response	20 Hz ÷ 25 kHz (± 0.5 dB)
Total harmonic distortion	0.1% (rated power, 4 Ω)
Signal / noise ratio	110 dB
Amplifier gain (selectable)	23 ÷ 44 dB (3 dB steps)
Input impedance	20 kΩ (balanced), 10 kΩ (unbalanced)
Protections	DC, HF, current, thermal drift
Operating voltage	220 V, 50 Hz
Max. power consumption	2400 W
Dimensions (w, h, d)	483 mm, 88 mm, 445 mm (2U – 19" rack)
Net weight	16 kg
Gross weight	19.5 kg

**IMPORTANTE**

Prima di collegare ed utilizzare questo prodotto, leggere attentamente le istruzioni contenute in questo manuale, il quale è da conservare per riferimenti futuri.

Il presente manuale costituisce parte integrante del prodotto e deve accompagnare quest'ultimo anche nei passaggi di proprietà, per permettere al nuovo proprietario di conoscere le modalità d'installazione e d'utilizzo e le avvertenze per la sicurezza. L'installazione e l'utilizzo errati del prodotto esimono la RCF S.p.A. da ogni responsabilità.

ATTENZIONE: per prevenire i rischi di fiamme o scosse elettriche, non esporre mai questo prodotto alla pioggia o all'umidità; questo apparecchio è progettato per il solo uso all'interno.

AVVERTENZE PER LA SICUREZZA

1. Tutte le avvertenze, in particolare quelle relative alla sicurezza, devono essere lette con particolare attenzione, in quanto contengono importanti informazioni.

2. ALIMENTAZIONE DA RETE ELETTRICA

- La tensione di alimentazione dell'apparecchio ha un valore sufficientemente alto da costituire un rischio di folgorazione per le persone: non procedere mai all'installazione od alla connessione dell'apparecchio con il cavo dell'alimentazione collegato alla rete elettrica.
- Prima di alimentare questo prodotto, assicurarsi che tutte le connessioni siano corrette e che la tensione della vostra rete di alimentazione corrisponda quella di targa dell'apparecchio, in caso contrario rivolgetevi ad un rivenditore RCF.
- Le parti metalliche dell'apparecchio sono collegate a terra tramite il cavo di alimentazione. Un apparecchio avente costruzione di CLASSE I deve essere connesso alla presa di rete con un collegamento alla terra di protezione.
- Accertarsi che il cavo di alimentazione dell'apparecchio non possa essere calpestato o schiacciato da oggetti, al fine di salvaguardarne la perfetta integrità.
- Per evitare il rischio di shock elettrici, non aprire mai l'apparecchio: all'interno non vi sono parti che possono essere utilizzate dall'utente.
- La spina del cavo d'alimentazione è utilizzata come dispositivo di scollegamento e deve rimanere sempre facilmente accessibile.

3. Impedire che oggetti o liquidi entrino all'interno del prodotto, perché potrebbero causare un corto circuito. L'apparecchio non deve essere esposto a stillycidio o a spruzzi d'acqua; nessun oggetto pieno di liquido (quali vasi) e nessuna sorgente di fiamma nuda (es. candele accese) deve essere posto sull'apparecchio.

4. Non eseguire sul prodotto interventi / modifiche / riparazioni se non quelle espressamente descritte sul manuale istruzioni.

Contattare centri di assistenza autorizzati o personale altamente qualificato quando:

- l'apparecchio non funziona (o funziona in modo anomalo);
- il cavo di alimentazione ha subito gravi danni;
- oggetti o liquidi sono entrati nell'apparecchio;
- l'apparecchio ha subito forti urti.

5. Qualora questo prodotto non sia utilizzato per lunghi periodi, scollegare il cavo d'alimentazione dalla rete elettrica.

6. Nel caso che dal prodotto provengano odori anomali o fumo, spegnerlo immediatamente e scollegare il cavo d'alimentazione.

7. I terminali marcati con il simbolo  sono da ritenersi ATTIVI e PERICOLOSI ed il loro collegamento deve essere effettuato da PERSONE ADDESTRATE oppure si devono utilizzare cavi già pronti.

IMPORTANTE**ATTENZIONE**

8. Non collegare a questo prodotto altri apparecchi e accessori non previsti.

Quando è prevista l'installazione sospesa, utilizzare solamente gli appositi punti di ancoraggio e non cercare di appendere questo prodotto tramite elementi non idonei o previsti allo scopo. Verificare inoltre l'idoneità del supporto (parete, soffitto, struttura ecc., al quale è ancorato il prodotto) e dei componenti utilizzati per il fissaggio (tasselli, viti, staffe non fornite da RCF ecc.) che devono garantire la sicurezza dell'impianto / installazione nel tempo, anche considerando, ad esempio, vibrazioni meccaniche normalmente generate da un trasduttore. Per evitare il pericolo di cadute, non sovrapporre fra loro più unità di questo prodotto, quando questa possibilità non è espressamente contemplata dal manuale istruzioni.

9. RCF S.p.A. raccomanda vivamente che l'installazione di questo prodotto sia eseguita solamente da installatori professionali qualificati (oppure da ditte specializzate) in grado di farla correttamente e certificarla in accordo con le normative vigenti.

Tutto il sistema audio dovrà essere in conformità con le norme e le leggi vigenti in materia di impianti elettrici.

10. Sostegni e Carrelli

Se previsto, il prodotto va utilizzato solo su carrelli o sostegni consigliati dal produttore. L'insieme apparecchio-sostegno / carrello va mosso con estrema cura. Arresti improvvisi, spinte eccessive e superfici irregolari o inclinate possono provocare il ribaltamento dell'insieme.

11. Si devono considerare anche i fattori meccanici ed elettrici quando si installa un sistema audio professionale (oltre a quelli prettamente acustici, come la pressione sonora, gli angoli di copertura, la risposta in frequenza, ecc.).

12. Perdita dell'udito

L'esposizione ad elevati livelli sonori può provocare la perdita permanente dell'udito. Il livello di pressione acustica pericolosa per l'udito varia sensibilmente da persona a persona e dipende dalla durata dell'esposizione. Per evitare un'esposizione potenzialmente pericolosa ad elevati livelli di pressione acustica, è necessario che chiunque sia sottoposto a tali livelli utilizzi delle adeguate protezioni; quando si fa funzionare un trasduttore in grado di produrre elevati livelli sonori è necessario indossare dei tappi per orecchie o delle cuffie protettive. Consultare i dati tecnici contenuti nei manuali istruzioni per conoscere le massime pressioni sonore che i diffusori acustici sono in grado di produrre.

13. Non ostruire le griglie di ventilazione dell'unità. Collocare il prodotto lontano da fonti di calore e garantire la circolazione dell'aria in corrispondenza delle griglie di aerazione.

14. Non sovraccaricare gli amplificatori; verificare che non vi sia una o più uscite in cortocircuito.

15. Non forzare mai gli organi di comando (tasti, manopole ecc.).

16. Non usare solventi, alcool, benzina o altre sostanze volatili per la pulitura delle parti esterne dell'unità, ma un panno asciutto.

NOTA SUI CAVI PER SEGNALI AUDIO



Per evitare fenomeni di rumorosità indotta sui cavi che trasportano segnali dai microfoni o di linea (per esempio 0dB), usare solo cavi schermati ed evitare di posarli nelle vicinanze di:

- apparecchiature che producono campi elettromagnetici di forte intensità;
- cavi di rete;
- linee che alimentano altoparlanti.

RCF S.P.A. VI RINGRAZIA PER L'ACQUISTO DI QUESTO PRODOTTO, REALIZZATO IN MODO DA GARANTIRNE L'AFFIDABILITÀ E PRESTAZIONI ELEVATE.

DESCRIZIONE



QPS 9600 è un amplificatore (finale di potenza con quattro canali indipendenti), di dimensioni compatte (2 unità rack 19") e leggero, per uso professionale (es. tour) e sistemi installati.

La sua potenza nominale erogata è 2400 W RMS su 2 Ω per ciascuno dei quattro canali (2 x 4800 W RMS a ponte su 4 Ω).

Grazie ai suoi dissipatori di calore ad alta efficienza ed alle ventole interne a velocità variabile, l'amplificatore può sopportare le temperature più estreme assicurando grande affidabilità.

CARATTERISTICHE PRINCIPALI:

- risposta rapida e bassa distorsione;
- differenti modi di funzionamento (es. 4 canali indipendenti, "a ponte", mono);
- protezioni interne assicuranti alta affidabilità e sicurezza;
- connettori XLR per gli ingressi e le uscite audio;
- connettori SPEAKON per il collegamento dei diffusori acustici;
- limiter (VPK "Voltage Peak Limiter")
- impostazione del guadagno dell'amplificatore ("Gain").

DISIMBALLO ED INSTALLAZIONE



Verificare se il cartone per l'imballo ed il contenuto hanno subito dei danni durante il trasporto (nel caso che l'amplificatore sia danneggiato, informare immediatamente il rivenditore e lo spedizioniere).

E' sempre consigliabile tenere il materiale d'imballo, perfino nel caso che l'amplificatore sia arrivato in buone condizioni.

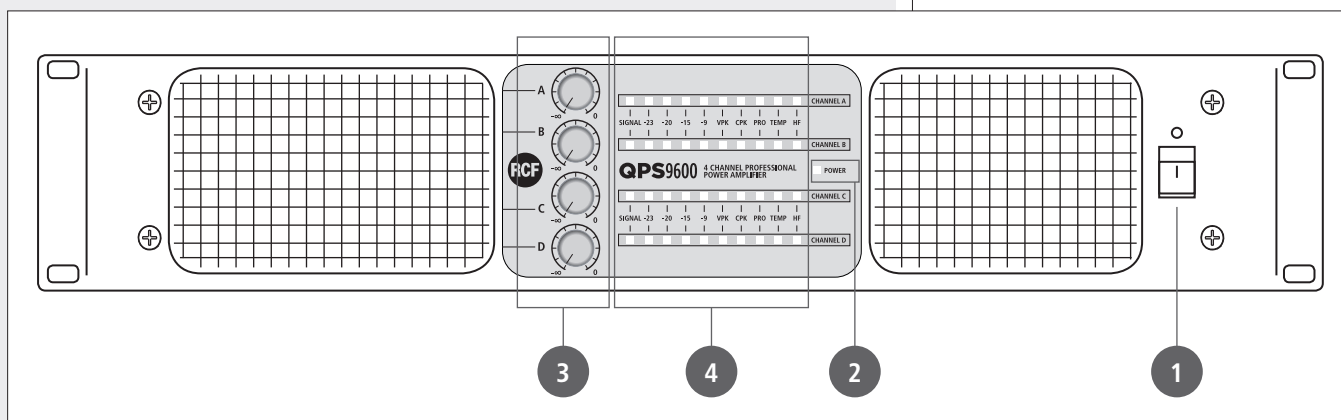
I cavi per gli ingressi audio e le uscite amplificate non sono inclusi.

Ciascun amplificatore occupa 2 unità di un rack standard 19".

Sulle alette del pannello frontale, sono presenti 4 fori per il montaggio a rack; le alette posteriori forniscono un ulteriore supporto.

L'AMPLIFICATORE NON DOVREBBE ESSERE POSTO IN LUOGHI CON:

- temperatura troppo elevata, polvere o umidità eccessiva;
- macchine del fumo con l'uscita orientata verso l'amplificatore;
- uscite d'aria riscaldata;
- vibrazioni permanenti;
- forti campi elettromagnetici (dovuti a trasformatori, trasmettitori, ecc.).



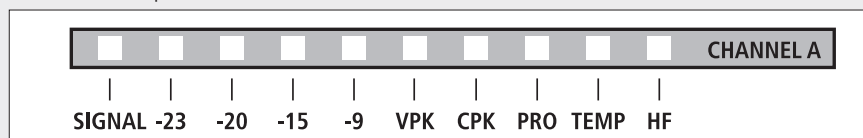
1 Interruttore principale dell'amplificatore con LED.
Premere per accendere (I) o spegnere (O) l'amplificatore.
Il LED si illumina quando l'amplificatore è acceso.
Prima di accendere l'amplificatore, controllare tutte le connessioni e ruotare completamente in senso antiorario i controlli di livello **3** di tutti i quattro canali.

2 LED POWER
Indica l'accensione dell'amplificatore.

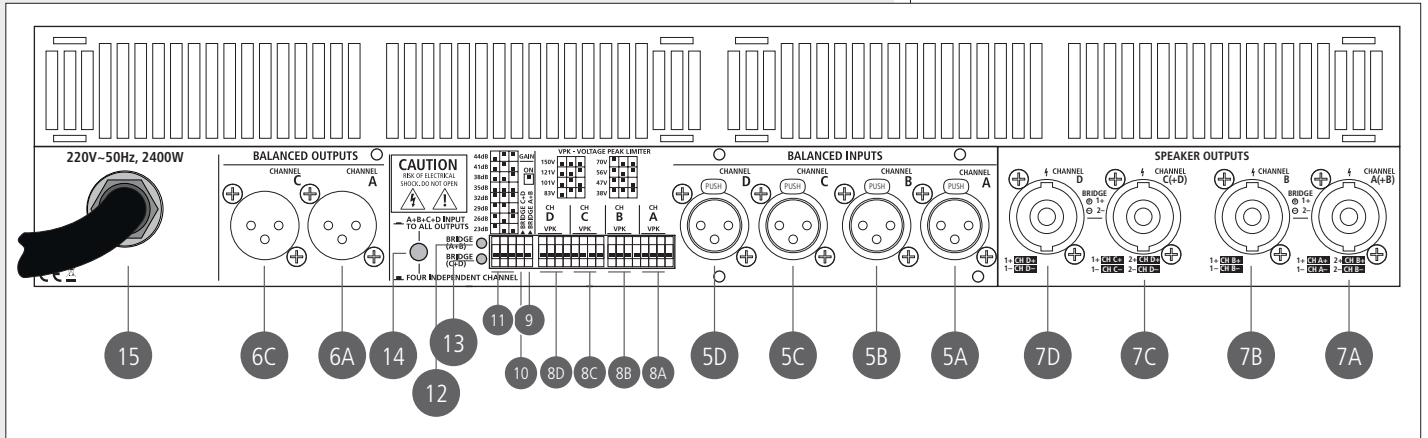
3 Quattro controlli (uno per ogni canale) per la regolazione del livello d'uscita dei rispettivi canali dell'amplificatore.
Ruotarli in senso orario per aumentare i livelli d'uscita (0 dB = livello max.) od antiorario per diminuirli.
Impostare il livello di un canale inutilizzato su $-\infty$ (ruotare il controllo completamente in senso antiorario).

SE I CANALI A E B SONO MESSI "A PONTE", USARE SOLO IL CONTROLLO DEL CANALE A; SE I CANALI C E D SONO MESSI "A PONTE", USARE SOLO IL CONTROLLO DEL CANALE C.

4 Barra LED per ciascun canale



SIGNAL	Quando acceso, indica la presenza del segnale nel rispettivo ingresso.
-23	Quando acceso, indica il livello del segnale di (almeno) -23 dB nel rispettivo ingresso.
-20	Quando acceso, indica il livello del segnale di (almeno) -20 dB nel rispettivo ingresso.
-15	Quando acceso, indica il livello del segnale di (almeno) -15 dB nel rispettivo ingresso.
-9	Quando acceso, indica il livello del segnale di (almeno) -9 dB nel rispettivo ingresso.
VPK	Lampeggia quando il livello del segnale raggiunge il livello massimo prima della saturazione, causando l'intervento del limitatore interno del rispettivo canale. Nel caso sia costantemente acceso, il livello del segnale d'ingresso è eccessivo ed andrebbe diminuito.
CPK	Se acceso fisso (arancio): l'impedenza del carico è troppo bassa oppure è rilevato un cortocircuito (la rispettiva uscita è disattivata).
PRO	La sua accensione indica l'intervento della protezione interna ed il rispettivo canale è disattivato.
TEMP	La sua accensione indica l'intervento della protezione interna a causa di una deriva termica ed il rispettivo canale è disattivato.
HF	Se acceso fisso (giallo): protezione alte frequenze; il rispettivo canale è disattivato.



PIEDINATURA CONNETTORE XLR: 1 MASSA, 2 SEGNALE AUDIO (+), 3 SEGNALE AUDIO (-)



5A INGRESSO CHANNEL A

Ingresso audio bilanciato del canale A (connettore XLR femmina).

5B INGRESSO CHANNEL B

Ingresso audio bilanciato del canale B (connettore XLR femmina).
Non collegare questo ingresso quando i canali A e B sono messi "a ponte".

5C INGRESSO CHANNEL C

Ingresso audio bilanciato del canale C (connettore XLR femmina).

5D INGRESSO CHANNEL D

Ingresso audio bilanciato del canale D (connettore XLR femmina).
Non collegare questo ingresso quando i canali C e D sono messi "a ponte".

6A USCITA CHANNEL A

Uscita audio bilanciata (connettore XLR maschio) collegata in parallelo all'ingresso del canale A ed utilizzabile per la connessione di un altro amplificatore.

6C USCITA CHANNEL C

Uscita audio bilanciata (connettore XLR maschio) collegata in parallelo all'ingresso del canale C ed utilizzabile per la connessione di un altro amplificatore.

7A USCITA AMPLIFICATA CHANNEL A (+ B)

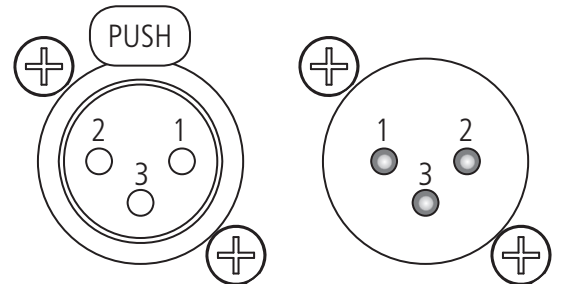
Uscita amplificata del canale A per i diffusori acustici (connettore SPEAKON che include anche l'uscita amplificata dal canale B).
Vedere le sezioni del manuale "Modi di funzionamento" e "Cablaggio dei connettori SPEAKON".

7B USCITA AMPLIFICATA CHANNEL B

Uscita amplificata del canale B per i diffusori acustici (connettore SPEAKON).
Non collegare questa uscita se i canali A e B sono messi "a ponte".
Vedere le sezioni del manuale "Modi di funzionamento" e "Cablaggio dei connettori SPEAKON".

7C USCITA AMPLIFICATA CHANNEL C (+ D)

Uscita amplificata del canale C per i diffusori acustici (connettore SPEAKON che include anche l'uscita amplificata dal canale D).
Vedere le sezioni del manuale "Modi di funzionamento" e "Cablaggio dei connettori SPEAKON".



Connettore XLR (f)

Connettore XLR (m)

7D USCITA AMPLIFICATA CHANNEL D

Uscita amplificata del canale D per i diffusori acustici (connettore SPEAKON).

Non collegare questa uscita se i canali C e D sono messi "a ponte".

Vedere le sezioni del manuale "Modi di funzionamento" e "Cablaggio dei connettori SPEAKON".

8A IMPOSTAZIONE DEL LIMITER HARDWARE VPK – CANALE A

I tre dip-switch permettono l'impostazione della massima tensione di picco d'uscita del canale A tra otto valori. In altre parole, è possibile depotenziare il canale in base ai diffusori acustici collegati.

Vedere la seguente tabella e selezionare l'impostazione più appropriata.

DIP SWITCH	IMPOSTAZIONE VPK	MAX. POTENZA PER CANALE (SU 8 Ω)	MAX. POTENZA PER CANALE (SU 4 Ω)
	150 V	1300 W	2200 W
	121 V	845 W	1430 W
	101 V	590 W	995 W
	83 V	400 W	675 W
	70 V	280 W	480 W
	56 V	180 W	305 W
	47 V	130 W	215 W
	38 V	80 W	140 W

8B IMPOSTAZIONE DEL LIMITER HARDWARE VPK – CANALE B

Vedere **8A** IMPOSTAZIONE DEL LIMITER HARDWARE VPK – CANALE A, ma inerente al CANALE B.

8C IMPOSTAZIONE DEL LIMITER HARDWARE VPK – CANALE C

Vedere **8A** IMPOSTAZIONE DEL LIMITER HARDWARE VPK – CANALE A, ma inerente al CANALE C.

8D IMPOSTAZIONE DEL LIMITER HARDWARE VPK – CANALE D

Vedere **8A** IMPOSTAZIONE DEL LIMITER HARDWARE VPK – CANALE A, ma inerente al CANALE D.

9 Selettore BRIDGE A+B

Importante: assicurarsi che l'amplificatore sia spento prima di effettuare la selezione.

Se impostato su ON, i canali A e B sono messi "a ponte" (il rispettivo LED **12** si illumina).

Lasciarlo su OFF per il funzionamento separato dei due canali.

Vedere la sezione del manuale "Modi di funzionamento".

10 Selettore BRIDGE C+D

Importante: assicurarsi che l'amplificatore sia spento prima di effettuare la selezione.

Se impostato su ON, i canali C e D sono messi "a ponte" (il rispettivo LED **13** si illumina).

Lasciarlo su OFF per il funzionamento separato dei due canali.

Vedere la sezione del manuale "Modi di funzionamento".

11 Impostazione del guadagno GAIN (comune a tutti i canali)

I tre dip-switch permettono di impostare il guadagno (per tutti i quattro canali) da +23 dB a +44 dB (in passi da 3 dB). Vedere la seguente tabella e selezionare l'impostazione più appropriata.

DIP SWITCH	GAIN (guadagno)
	+ 44 dB
	+ 41 dB
	+ 38 dB
	+ 35 dB
	+ 32 dB
	+ 29 dB
	+ 26 dB
	+ 23 dB

12 LED BRIDGE (A+B)

Se acceso: i canali A e B sono messi "a ponte" (vedere il punto 9: selettore BRIDGE A+B).

13 LED BRIDGE (C+D)

Se acceso: i canali C e D sono messi "a ponte" (vedere il punto 10: selettore BRIDGE C+D).

14 Selettore FOUR INDEPENDENT CHANNELS / A+B+C+D INPUT TO ALL OUTPUTS

Importante: assicurarsi che l'amplificatore sia spento prima di effettuare la selezione.

Vedere la sezione del manuale "Modi di funzionamento".

POSIZIONE SELETTORE	MODO	FUNZIONAMENTO
OFF (rilasciato)	FOUR INDEPENDENT CHANNELS (quattro canali indipendenti)	Funzionamento standard: tutti i quattro canali sono indipendenti (tranne se messi a "a ponte"). Ogni ingresso (un canale) è inviato solo alla rispettiva uscita amplificata per altoparlanti (e quella audio bilanciata).
ON (premuto)	A+B+C+D INPUT TO ALL OUTPUTS (INGRESSI A+B+C+D VERSO TUTTE LE USCITE)	I quattro ingressi sono miscelati in un unico segnale inviato a tutte le uscite altoparlanti (e quelle audio bilanciate). Questo modo è utile per ottenere un amplificatore mono con quattro canali (un ingresso inviato a tutte le 4 uscite altoparlanti).

15 Cavo d'alimentazione.

Collegare il cavo d'alimentazione solo ad una presa di rete avente la messa a terra.



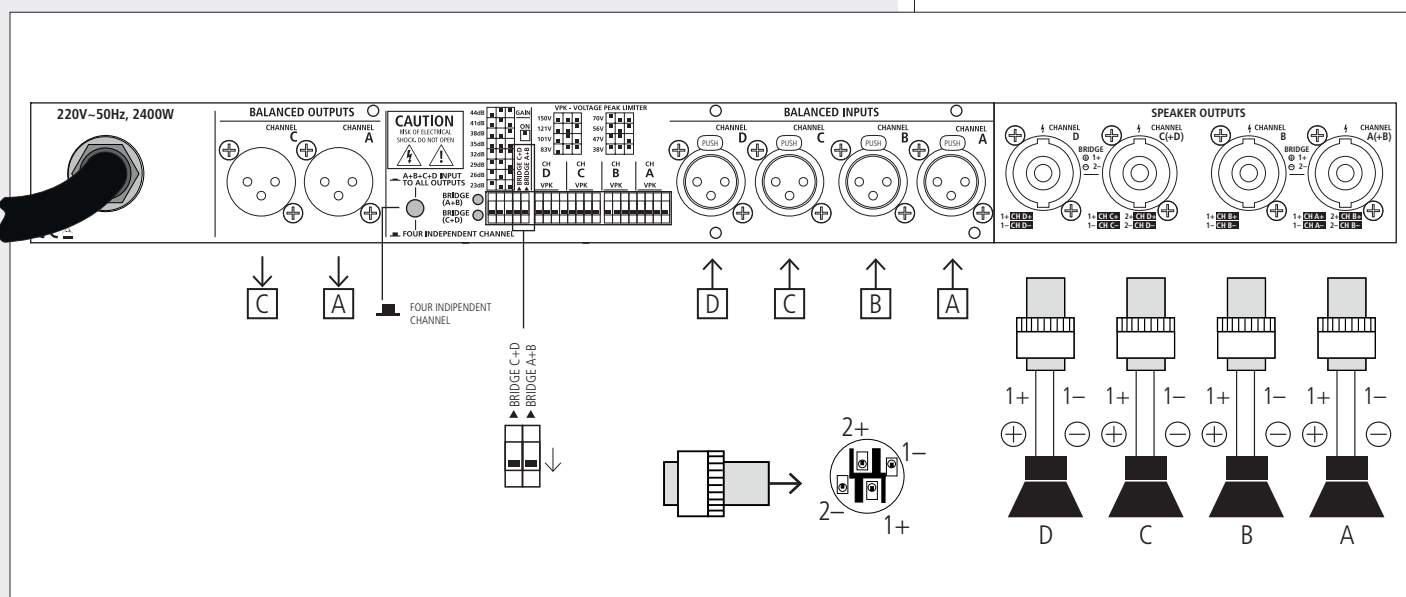
QUATTRO CANALI INDIPENDENTI

Assicurarsi che l'amplificatore sia spento prima di impostare:

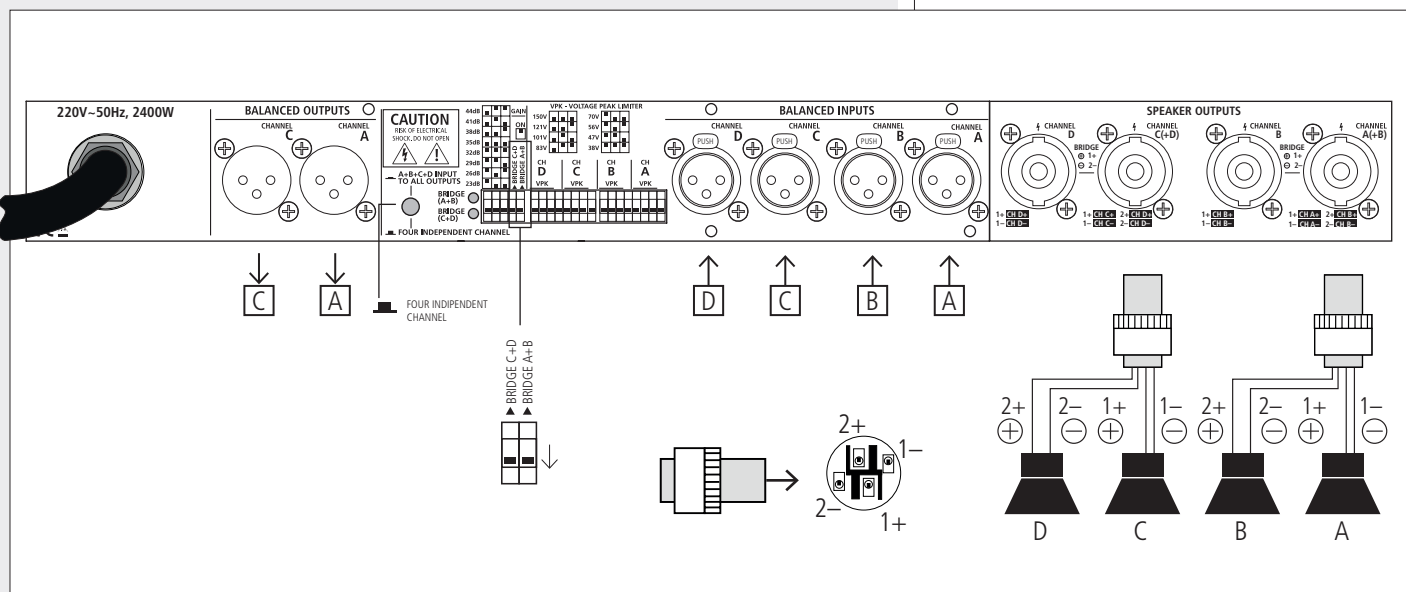
- il selettore BRIDGE A+B **9** su OFF
- il selettore BRIDGE C+D **10** su OFF
- il selettore **14** su FOUR INDEPENDENT CHANNELS (rilasciato).

Tutti i quattro canali sono completamente indipendenti ed ogni controllo di livello (sul pannello frontale) agisce (solo) sulla rispettiva uscita altoparlanti.

L'impedenza minima ammessa del carico è 2 Ω per ogni uscita altoparlanti.



Come cablaggio alternativo, è possibile usare solo un paio di connettori SPEAKON (sfruttando tutti i quattro contatti): uno per i canali A e B, uno per i canali C e D.



UNA COPPIA DI CANALI MESSA A PONTE E DUE CANALI INDIPENDENTI

Assicurarsi che l'amplificatore sia spento prima di impostare:

- il selettore BRIDGE A+B 9 su ON
- il selettore BRIDGE C+D 10 su OFF
- il selettore 14 su FOUR INDEPENDENT CHANNELS (rilasciato).

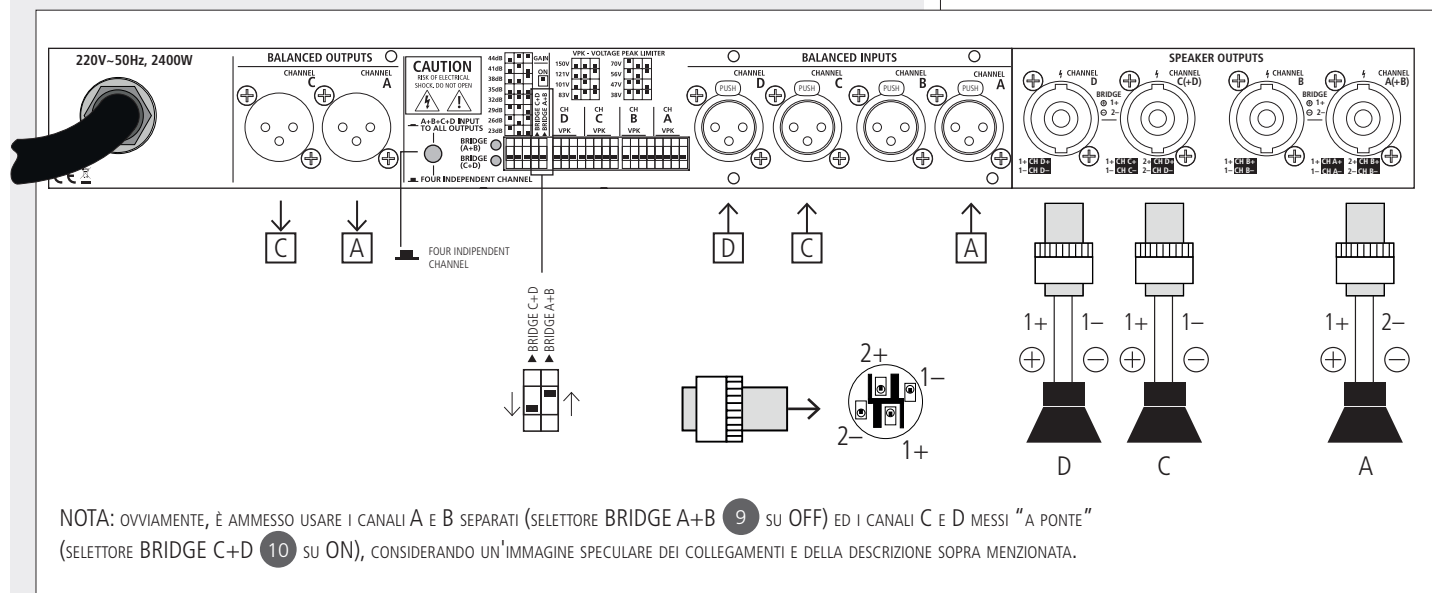
CANALI A E B: questi sono messi "a ponte" e hanno in comune lo stesso segnale d'ingresso (quello del canale A). Questo comporta un raddoppio della tensione d'uscita per ottenere una potenza doppia (su un carico avente impedenza doppia). Il livello d'uscita è regolabile solo dal controllo del canale A posto sul pannello frontale (ruotare completamente in senso antiorario il controllo di livello del canale B). Non collegare l'uscita altoparlanti del canale B.

L'impedenza minima ammessa del carico è 4 Ω (all'uscita altoparlanti del canale A).

Prestare attenzione al cablaggio del connettore SPEAKON: 1+ positivo, 2- negativo.

CANALI C E D: sono completamente indipendenti e ciascuno dei due controlli di livello (sul pannello frontale) agisce (solo) sulla rispettiva uscita altoparlanti.

L'impedenza minima ammessa del carico è 2 Ω per ogni uscita altoparlanti.



DUE COPPIE DI CANALI MESSE A PONTE

Assicurarsi che l'amplificatore sia spento prima di impostare:

- il selettore BRIDGE A+B 9 su ON
- il selettore BRIDGE C+D 10 su ON
- il selettore 14 su FOUR INDEPENDENT CHANNELS (rilasciato).

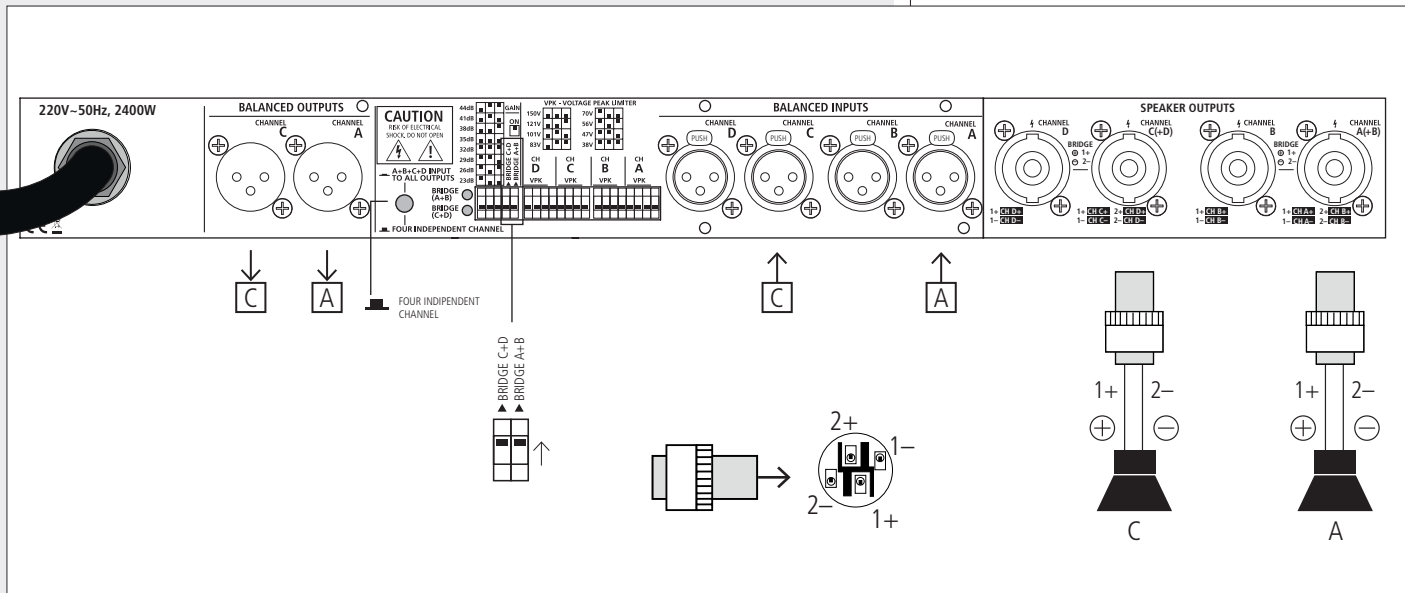
Tutti i canali sono messi "a ponte" (due coppie): questo comporta un raddoppio della tensione d'uscita per ottenere una potenza doppia (su un carico avente impedenza doppia).

Ciascuna coppia di canali ha in comune lo stesso segnale d'ingresso: quello del canale A per la coppia A-B, quello del canale C per la coppia C-D.

I livelli d'uscita sono regolabili solo dai controlli dei canali A e C posti sul pannello frontale (ruotare completamente in senso antiorario i controlli di livello dei canali B e D). Non collegare le uscite altoparlanti dei canali B e D.

L'impedenza minima ammessa del carico è 4 Ω per ogni uscita altoparlanti (canali A e C).

Prestare attenzione al cablaggio del connettore SPEAKON: 1+ positivo, 2- negativo.



UN UNICO SEGNALE COMUNE A TUTTI I QUATTRO CANALI (MONO – 4 CANALI)

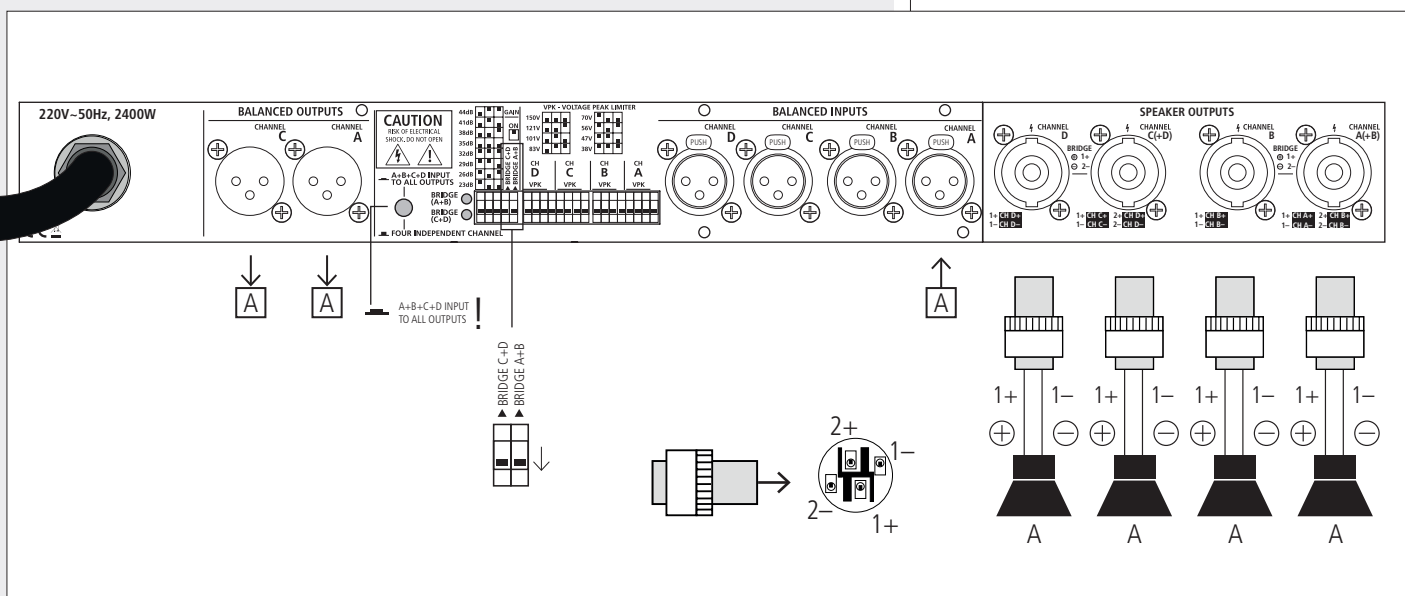
Assicurarsi che l'amplificatore sia spento prima di impostare:

- il selettore BRIDGE A+B **9** su OFF
- il selettore BRIDGE C+D **10** su OFF
- il selettore **14** su A+B+C+D INPUT TO ALL OUTPUTS (premuto).

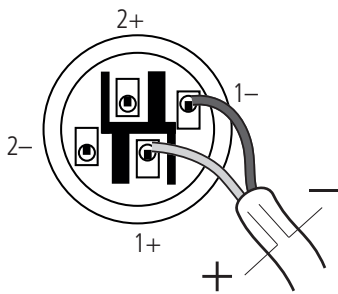
I quattro ingressi sono miscelati in un unico segnale inviato a tutte le uscite altoparlanti (e quelle audio bilanciate). Questo modo è utile per ottenere un amplificatore mono con quattro canali: ad esempio, l'ingresso del canale A è inviato a tutte le 4 uscite altoparlanti.

Ogni controllo di livello (sul pannello frontale) agisce (solo) sulla rispettiva uscita altoparlanti.

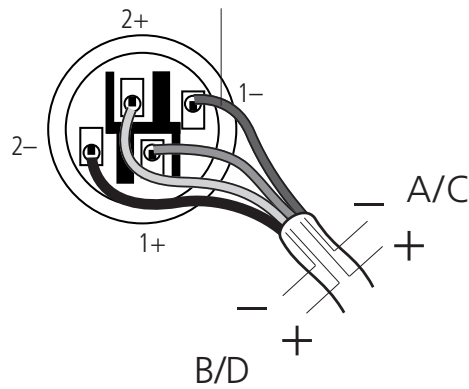
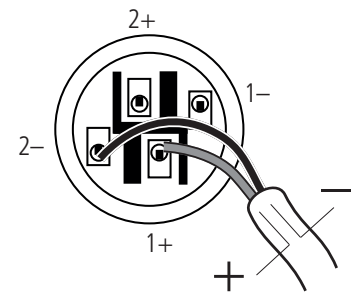
L'impedenza minima ammessa del carico è 2 Ω per ogni uscita altoparlanti.



CABLAGGIO DEI CONNETTORI SPEAKON



SINGOLO CANALE

DOPPIO CANALE
(solo 7A e 7C)"A PONTE"
(solo 7A e 7C)

VENTILAZIONE



L'amplificatore QPS 9600 ha un sistema di raffreddamento con ventilazione forzata per mantenere una bassa temperatura di funzionamento.

Assicurarsi che vi sia spazio sufficiente sia davanti il pannello frontale sia tutt'intorno agli amplificatori.

Se gli amplificatori sono montati in un armadio rack / flight-case (da 19 pollici), non utilizzare porte (od altre coperture) sia sul lato anteriore sia su quello posteriore.



POTENZA NOMINALE D'USCITA (singoli canali)	4 x 1300 W su 8 Ω 4 x 2200 W su 4 Ω 4 x 2400 W su 2 Ω
POTENZA NOMINALE D'USCITA ("a ponte")	2 x 4400 W su 8 Ω 2 x 4800 W su 4 Ω
Risposta in frequenza	20 Hz ÷ 25 kHz (\pm 0,5 dB)
Distorsione (T.H.D.)	0,1% (potenza nominale, 4 Ω)
Rapporto segnale / rumore	110 dB
Guadagno dell'amplificatore (selezionabile)	23 ÷ 44 dB (in passi di 3 dB)
Impedenza d'ingresso	20 k Ω (bilanciato), 10 k Ω (sbilanciato)
Protezioni	Corrente continua, alte frequenze, deriva termica, corrente d'uscita
Tensione di funzionamento	220 V, 50 Hz
Consumo max. di potenza	2400 W
Dimensioni (l, h, p)	483 mm, 88 mm, 445 mm (2 unità – rack 19")
Peso netto	16 kg
Peso lordo	19,5 kg

Salvo eventuali errori ed omissioni.
RCF S.p.A. si riserva il diritto di apportare modifiche senza preavviso.

Except possible errors and omissions.
RCF S.p.A. reserves the right to make modifications without prior notice.

www.rcf.it



RCF S.p.A. Italy
Via Raffaello Sanzio, 13
42124 Reggio Emilia - Italy
Tel +39 0522 274 411
Fax +39 0522 232 428
e-mail: info@rcf.it